

CLEAN AGENT FIRE EXTINGUISHING SYSTEM

Pneumatic Discharge Pressure Switch

Minimax Fire Products Technical Services: (480) 553-5670 Email: mxtechsupport@minimaxfp.com



The technical data described herein is for components of the Minimax Fire Products MX 1230 and MX 200 Clean Agent Systems. For design, installation, and operation instructions, refer to the latest edition of the original source documents: For MX 1230 - Installation and Service Manual (Part No. 889327), Design Manual (Part No. 889334), and Operation Manual (Part No. 889325). Or, for MX 200 - Installation and Service Manual (Part No. 889331), Design Manual (Part No. 889336), and Operation Manual (Part No. 889329).

1. DESCRIPTION

For Minimax Fire Products MX 1230 and MX 200 Fire Extinguishing Systems, when a manual release device is installed, a pneumatically actuated limit switch (pressure switch) is required on the pipeline to indicate a release per NFPA 2001.

- As extinguishing agent enters the pipeline, the pressure of the agent opens or closes the floating contacts of the limit switch (depending on whether it is set for NO or NC operation).
- The status of this contact can be monitored by the agent release control panel.
- The dry contacts can be used for different purposes, triggered via the pneumatic discharge pressure switch when connected electronically to the detection system.
- These dry contacts can be used for alarm notification, shutting dampers, closing doors, etc.
- The pushbutton on the pneumatic discharge pressure switch is for testing purposes.
- The pilot line hose connects the pneumatic discharge pressure switch to the pipeline. (Other hose lengths available-see Table 1.)

2. LISTINGS AND APPROVALS

-  **UL Listed:** Clean Agent Extinguishing System Unit
-  **FM Approved:** Clean Agent Fire Extinguishing System

3. TECHNICAL DATA

Specifications

Discharge Pressure Switch:

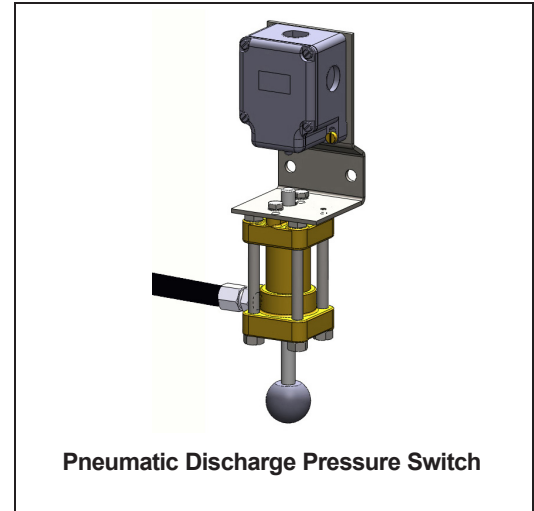
- Switch System: 2 adjustable contacts
- Contact Types:
 - Standard setting is 2 normally open (NO)
 - Can be set for 2 normally closed (NC)
- Maximum Operating Pressure: 1741 psi (120 bar)
- Maximum Rated Voltage: 500V
- Maximum Rated Current: 16A

Material Standards

Discharge Pressure Switch:

- Housing: Alloy die-cast metal
- Bracket: Steel
- Bolts: Zinc plated steel
- Cylinder: Brass
- Contact Material: Silver
- Pushbutton: Plastic
- Hose: Rubber hydraulic hose with galvanized steel ends
- Hose Adapters: Galvanized steel

NOTE: The Pneumatic Discharge Pressure Switch is factory set for NO operation. It may be switched to NC operation: Use a flathead screwdriver to remove the switch cover and adjust the two contacts. Verify that the switch is set for NC operation and then replace the switch cover.



Pneumatic Discharge Pressure Switch

 **WARNING:** Cancer and Reproductive Harm-
www.P65Warnings.ca.gov

Minimax Technical Data may be found on Minimax Fire Products' Web site at <http://www.minimaxfp.com/>. The Web site may include a more recent edition of this Technical Data Page.

TABLE 1: REPLACEMENT PART NUMBERS		
	Description	Part No.
	Pneumatic Discharge Pressure Switch	82 6758
Hoses	24" (600 mm) long	88 7834
	39" (1,000 mm) long	88 7835
	59" (1,500 mm) long	88 7836
	Adapter, 1/4" NPT to M12 x 1.5 Hose	17552
	Adapter, Pressure Switch G 1/4 to M12 x 1.5 Hose	17553



CLEAN AGENT FIRE EXTINGUISHING SYSTEM

Pneumatic Discharge Pressure Switch

Minimax Fire Products Technical Services: (480) 553-5670 Email: mxtechsupport@minimaxfp.com

Ordering Information

To order the MX 1230 and MX 200 Fire Extinguishing System Pneumatic Discharge Pressure Switch refer to Table 1.

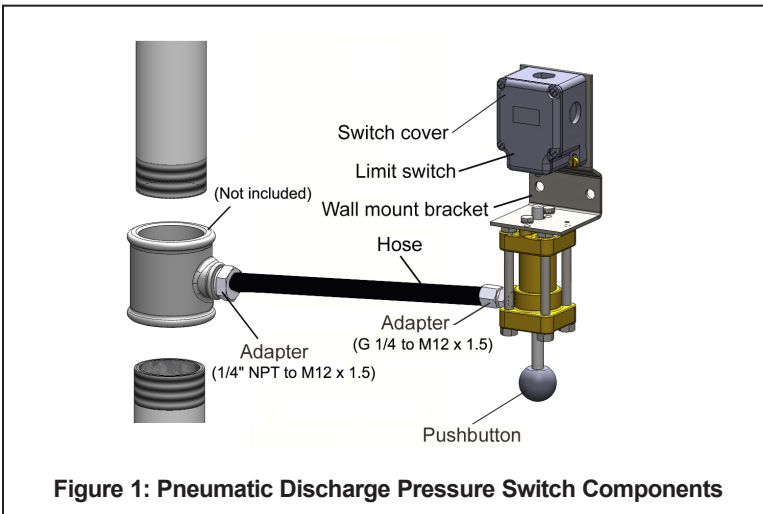


Figure 1: Pneumatic Discharge Pressure Switch Components

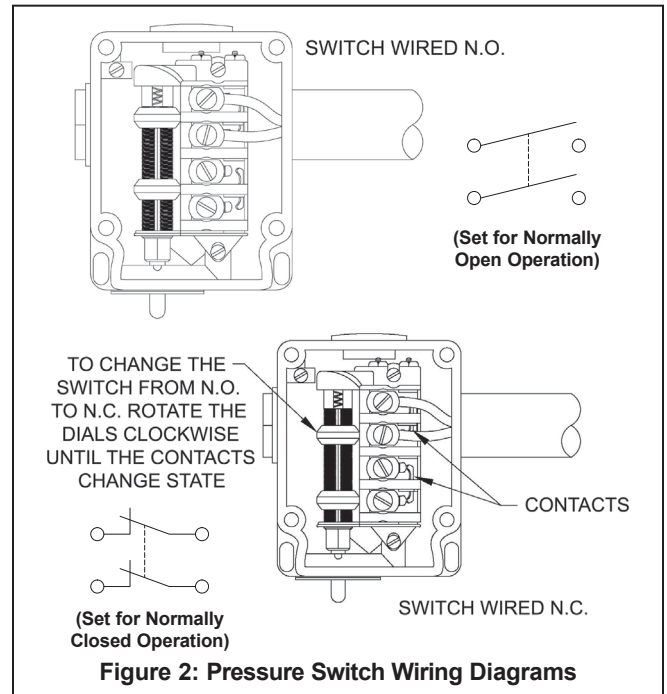


Figure 2: Pressure Switch Wiring Diagrams

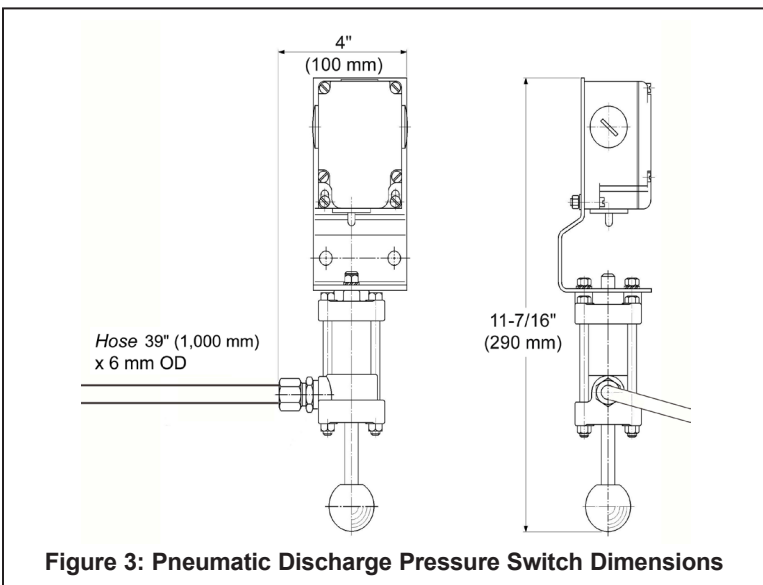


Figure 3: Pneumatic Discharge Pressure Switch Dimensions